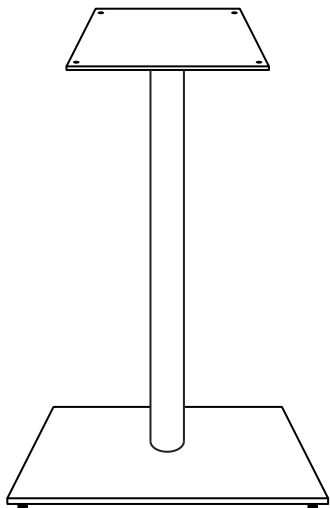




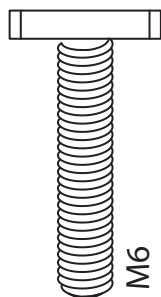
HPL

A



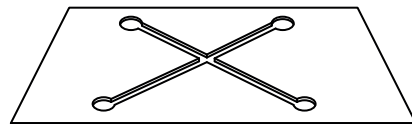
x1

B



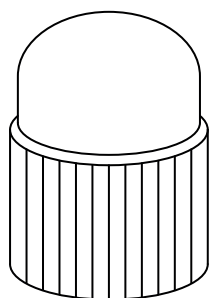
x4

C



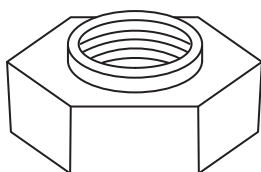
x1

D



x4

E

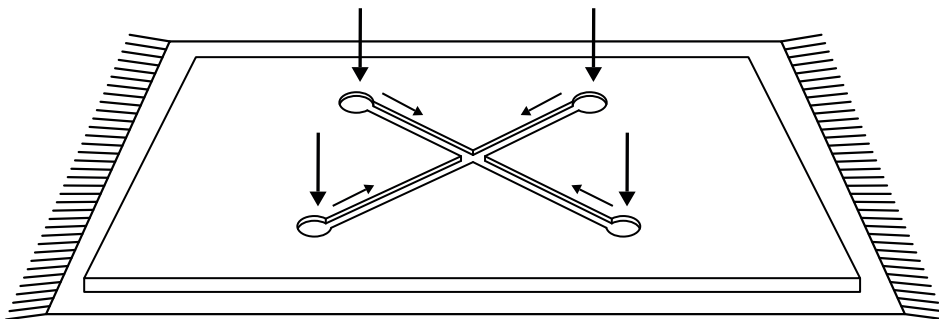


x4

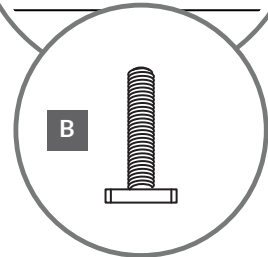
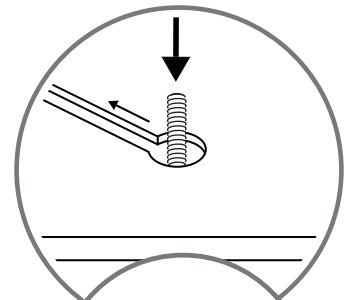


HPL

1

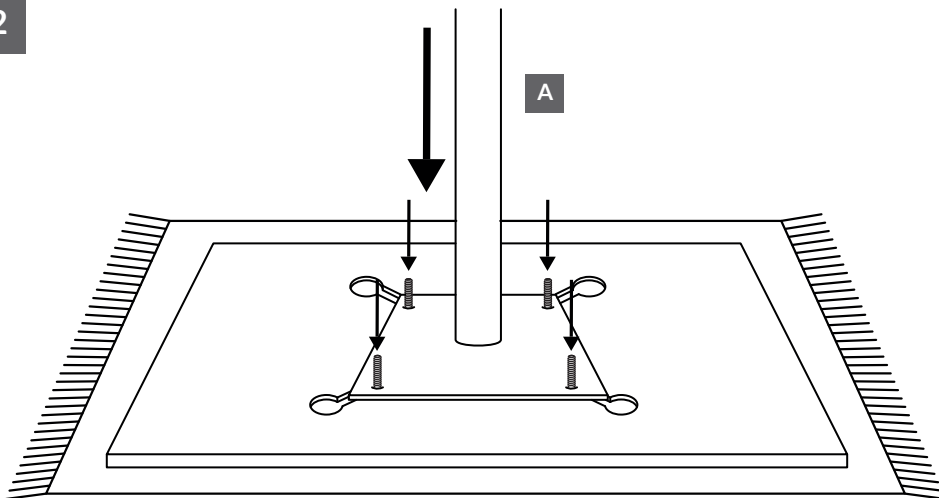


C

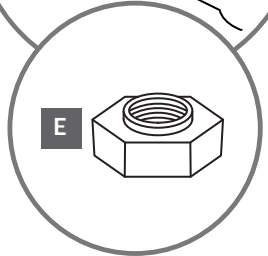
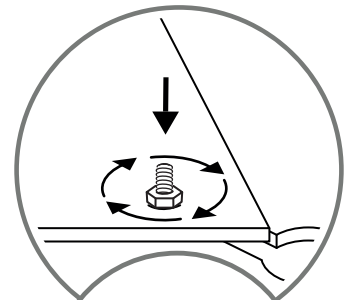


B

2

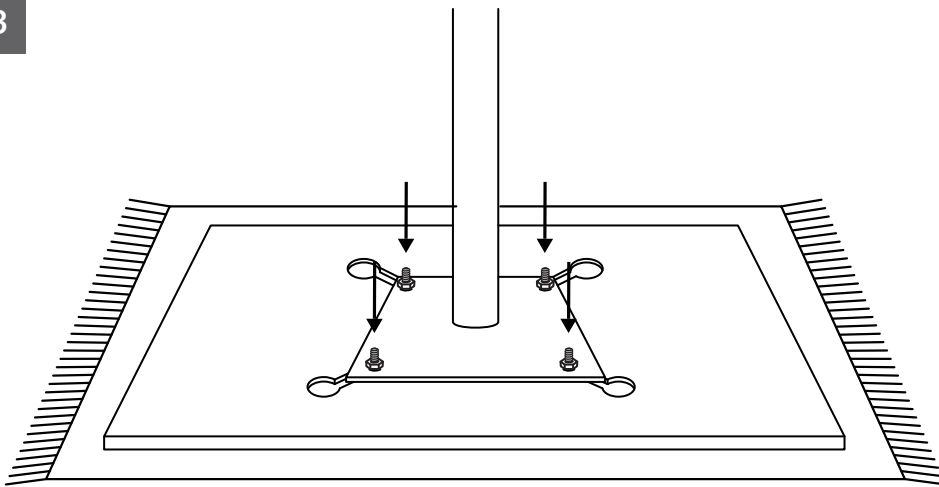


C

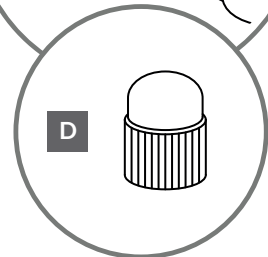
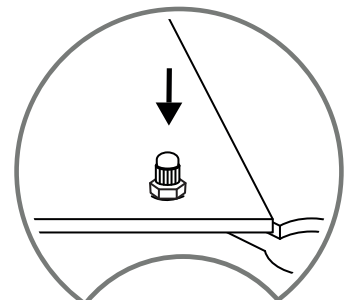


E

3



C



D