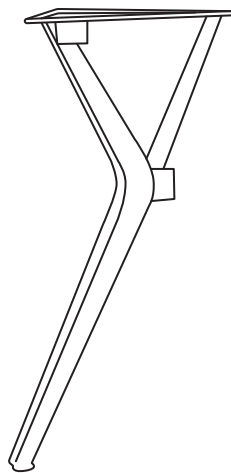




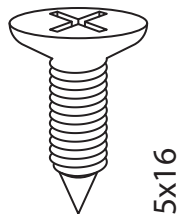
# MATR-X DUO

A



x2

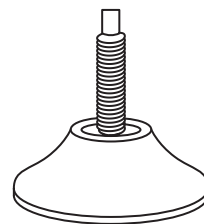
B



5x16

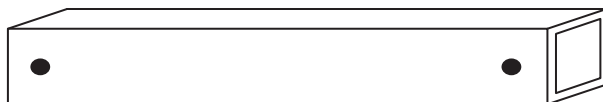
x2

C



x4

D



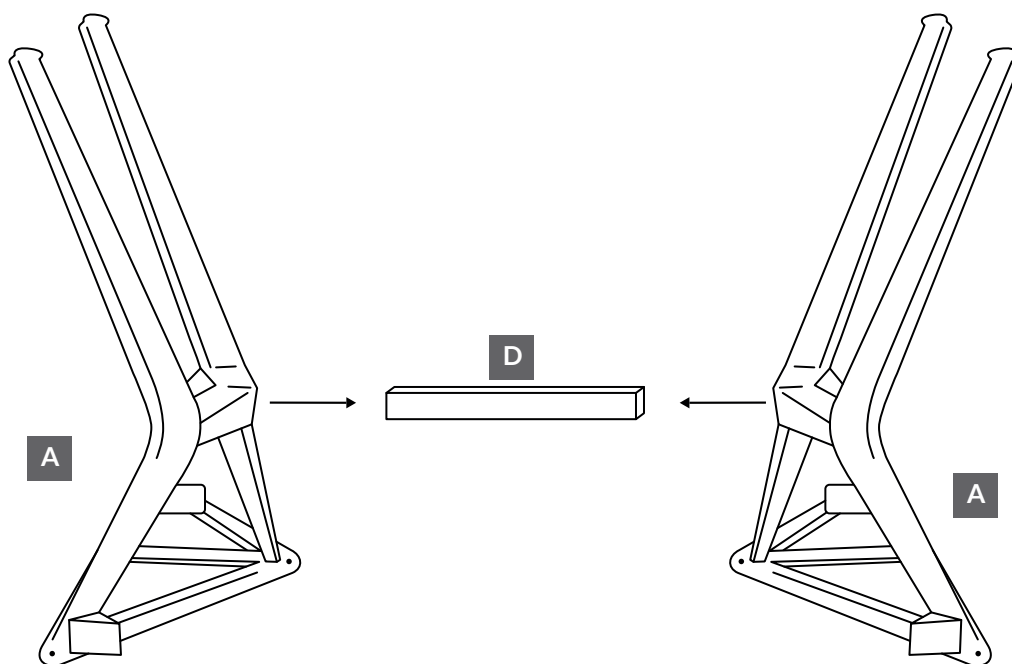
L=594mm

x1

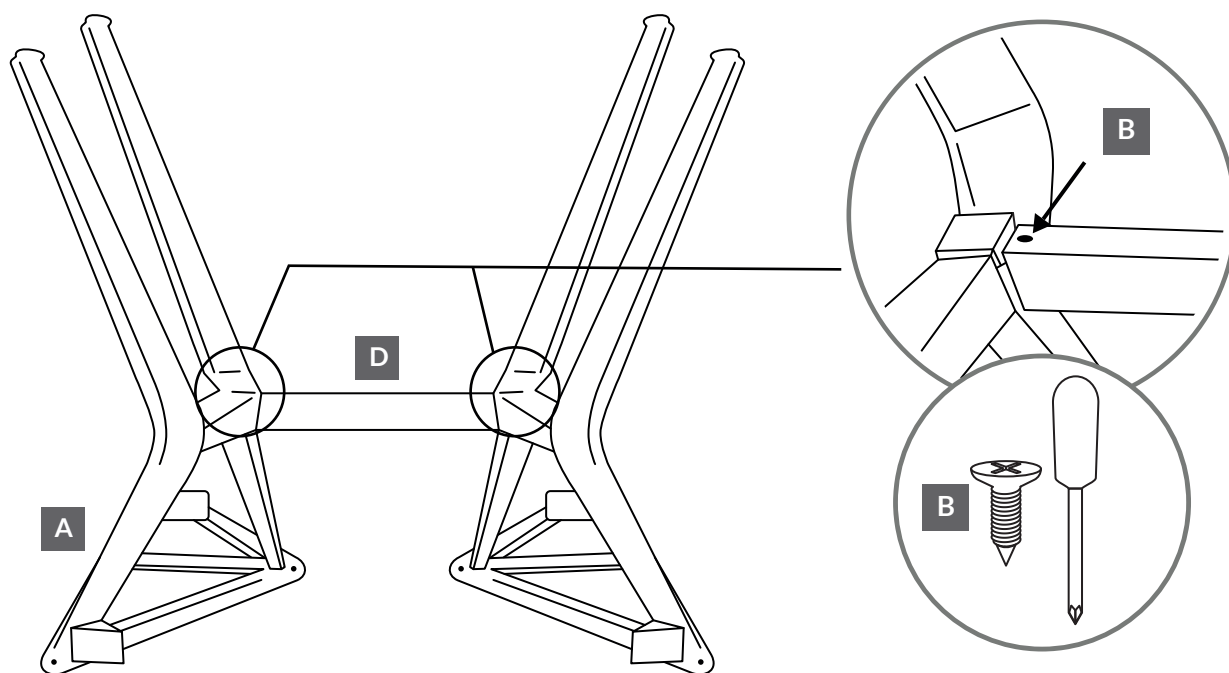


# MATR-X DUO

1



2





# MATR-X DUO

3

