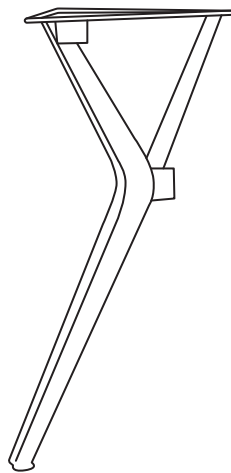




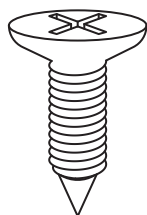
MATR-X

A



x2

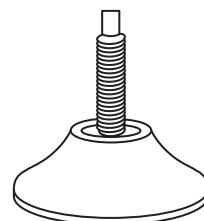
B



5x16

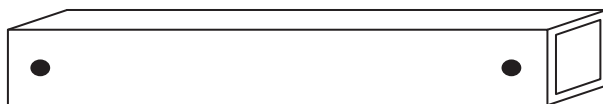
x2

C



x4

D



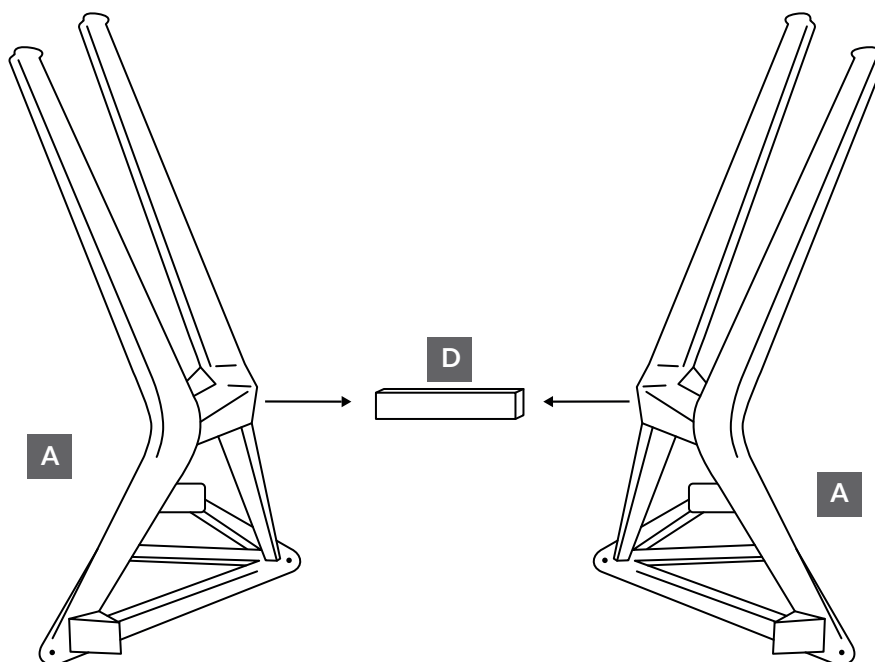
L=140mm

x1

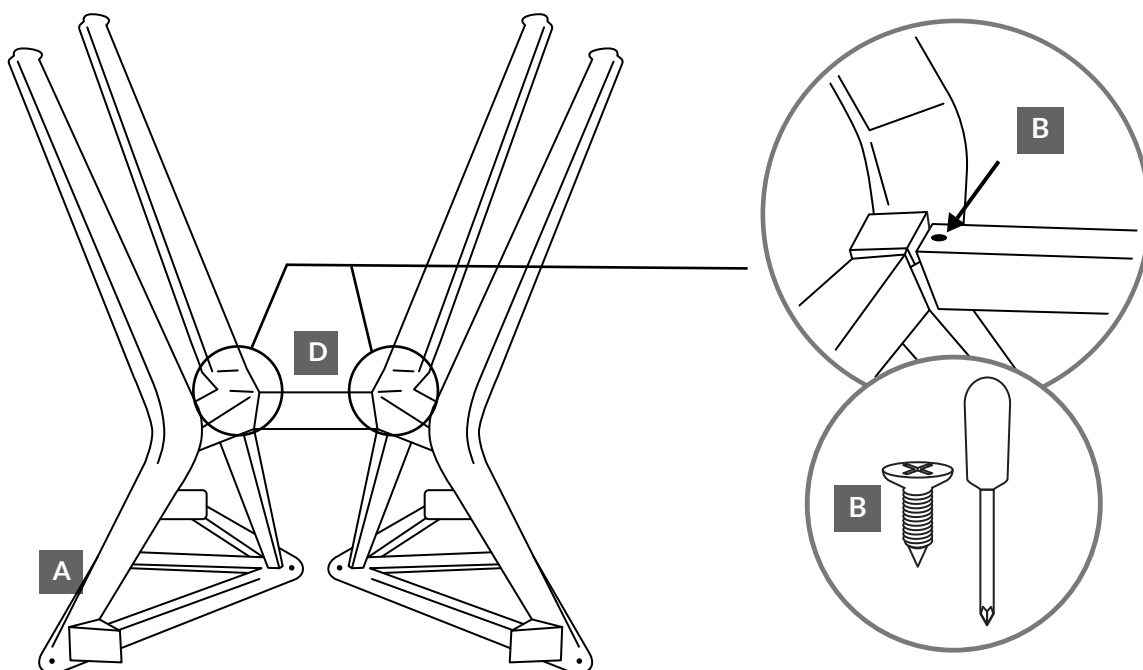


MATR-X

1



2





MATR-X

3

